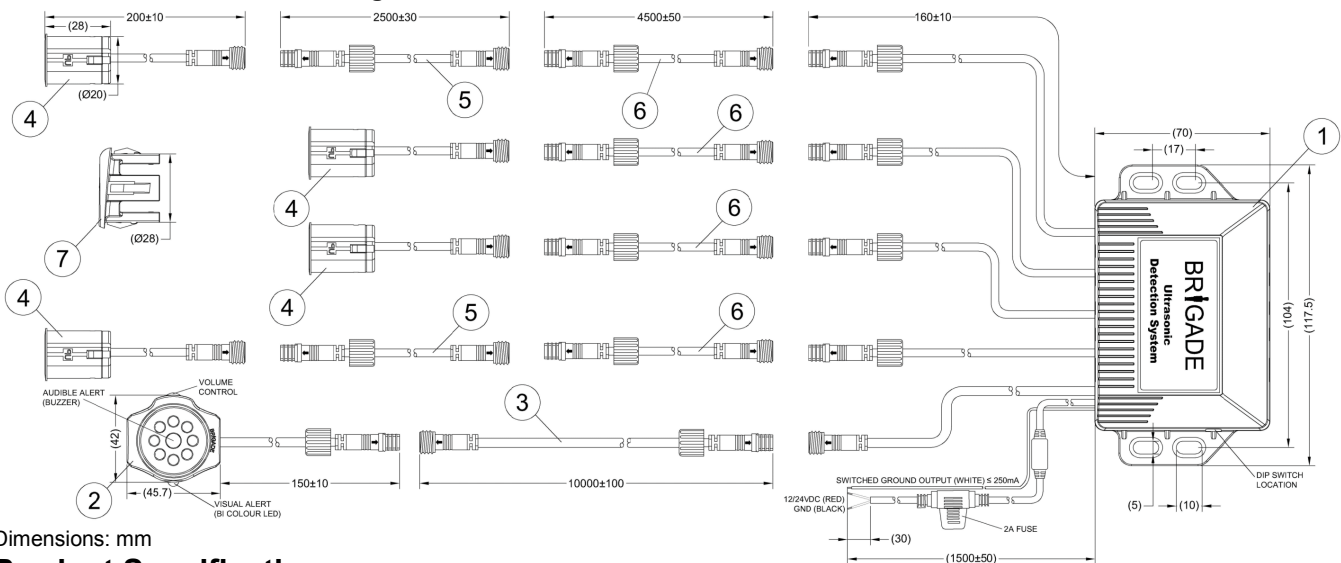


# Product Specification

Brigade Model Number: **SS-4200W**

Brigade Part Number: **5916**



Dimensions: mm

## Product Specification

### Technical Specifications

- Operating Voltage: 12/24Vdc
- Current Consumption: 200mA @ 12Vdc
- Power Consumption: 2.4W @ 12Vdc
- Buzzer Frequency: 2400Hz ± 200Hz
- Buzzer Volume: 72-90 ± 5 dB @ 30cm
- Sensor Frequency: 40kHz ± 2kHz
- No. of sensors: 4
- No. of detection zones: Up to 3, depending on configuration.
- Zone distances:
  - Zone 1a = 0.0-0.6m
  - Zone 1b = 0.6-0.9m
  - Zone 2 = 0.9-1.5m
  - Zone 3 = 1.5-2.5m
- Zone tolerance: ±0.1m
- Min sensor height: >0.4m
- Max sensor cable length: 10m
- Detection Angle: 90°(H), 60°(V)
- Cable Specification: 24 AWG
- Casing Material: Plastic
- Colour: Black

### Environmental Specifications

- Vibration Rating: 5G
- Shock rating: 10G
- Connector & Sensor IP Rating: IP68
- ECU IP Rating: IP69K
- Operating Temperature: -30° to +80°C
- Storage Temperature: -40° to +85°C

### Approved Standards

- CE
- FCC
- "E" Mark (UNECE Regulation 10 revision 05)
- RoHS

### Features

- Configurable detection range up to 2.5m (selectable via dip switch).
- Buzzer with audible distance warning, LED & adjustable volume control.
- Buzzer will silence if there is no change in detection distance within 4 seconds.
- Environment Learning Mode (ELM) - Prevents false alarms from vehicle ancillary equipment intruding into the first 1m of the detection zone.
- Detection within 200ms.
- Output trigger to operate ancillary items on detection
- Configurable sensor mounting (through hole or under slung).
- Common components throughout UDS range.

### Package Contents

- 1 x SS-4200W-ECU - System ECU (1)
- 1 x UDS-001BZ - System Buzzer (2)
- 1 x UDS-10BC - 10m Buzzer Cable (3)
- 4 x UDS-000HSS - High Sensitivity Sensor (4)
- 2 x UDS-2.5SC - 2.5m Sensor Cable (5)
- 4 x UDS-4.5SC - 4.5m Sensor Cable (6)
- 4 x UDS-11SS - 11° Sensor Sleeve (7)
- 4 x UDS-00SS - 0° Sensor Sleeve (not shown)
- 4 x UDS-SM - Under slung mounting (not shown)
- 1 x UDS-IG - Installation Guide (not shown)
- 1 x SS-4000W-FIX-SS-4000W Fixing Kit (not shown)